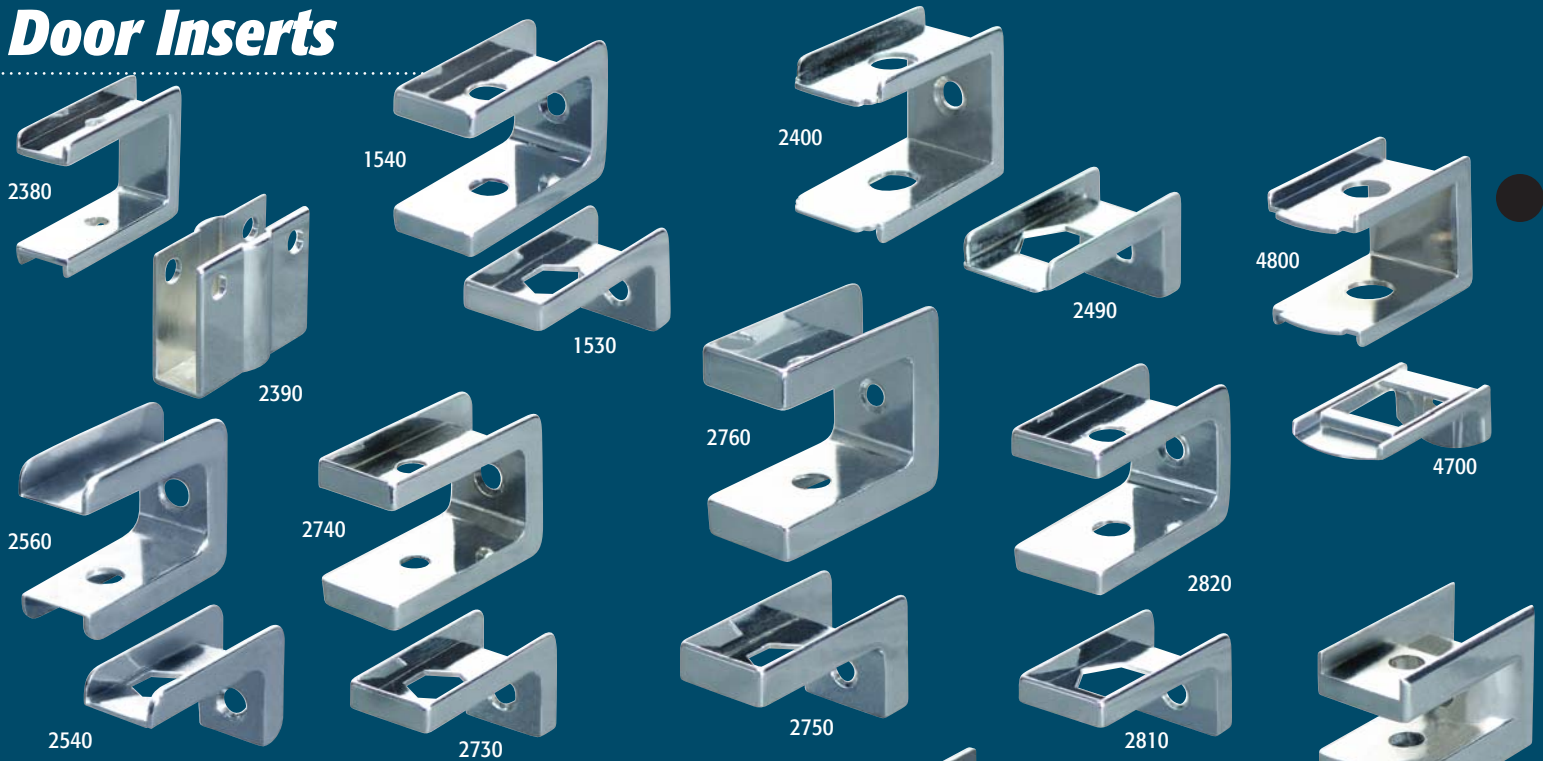
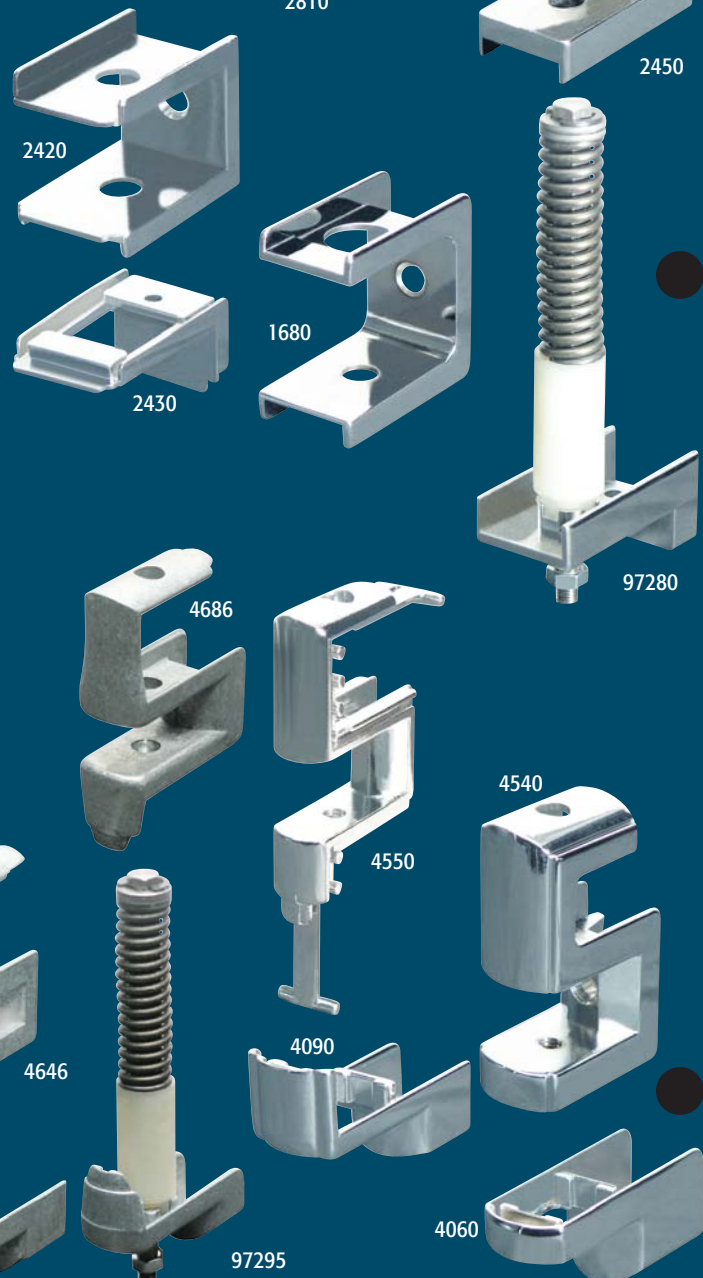


Door Inserts



FOR SQUARE EDGE DOORS

POST SIZE	LOCATION	CHROME PLATED ZAMAC	BRASS PLATED ZAMAC	SATIN FINISH ZAMAC	DESCRIPTION	USE PIN	USE PINTLE OR CANDLE	USE CAM	"A" DIM	"B" DIM
1/2"	Top	2380				99585	98265	98275	2-1/16"	1-1/2"
	Bottom	2390							2"	
3/4"	Top	2560		2568		99109	98265	98275	2-11/32"	1-3/4"
	Bottom	2540		2548						1-3/8"
7/8"	Top	1540	1542	1548		99109	98265	98275	2-3/8"	1-5/8"
	Bottom	1530	1532	1538					2-5/16"	1-3/16"
7/8"	Top	2740		2748	AMPCO	98585	98265	98275	2-3/8"	1-5/8"
	Bottom	2730		2738					2-5/16"	1-3/16"
7/8"	Top	2770		2778		99109	98265	98275	2-1/2"	1-1/2"
	Bottom	2780		2788					2-15/32"	1-15/16"
1"	Top	2400	2402			99109	98175	98245	2-7/32"	1-23/32"
	Bottom	2490	2492						2-11/32"	1-3/16"
1"	Top	2450			SANYMETAL	98715	INCLUDED		2-9/32"	1-5/8"
	Bottom	97280							2-5/16"	1"
1"	Top	2720		2728	AMPCO	99585	98265	98275	2-11/32"	1-5/8"
	Bottom	2710		2718					2-5/16"	1-3/16"
1"	Top	2760		2768		99109	98265	98275	2-15/32"	2-5/32"
	Bottom	2750		2758					2-1/2"	1-3/8"
1"	Top	2820	2822	2828		99109	98175	98245	2-11/32"	1-5/8"
	Bottom	2810	2812	2818					2-5/16"	1-3/16"
1"	Top	4800			FIAT	99574	98175	98195	2-3/16"	1-5/8"
	Bottom	4700							2-1/8"	13/16"
1"	Top & Bottom	1680		1688	CAPITAL	99109	89830	89820	2-5/16"	2-3/16"
1-1/4"	Top	2420			SHANAHAN	98544	98175	98195	2-9/32"	1-23/32"
	Bottom	2430							2-1/4"	1-1/8"



FOR ROUND EDGE (METAL) DOORS

POST SIZE	LOCATION	CHROME PLATED ZAMAC	UNPLATED ZAMAC	DESCRIPTION	USE PIN	USE PINTLE OR CANDLE	USE CAM
1"	Top	4540	4546	AMOCO & METPAR	98584	98175	98185
	Bottom	4060	4066				
1"	Top	4550	4556	FLUSH METAL	98584	98175	98185
	Bottom	4090	4096				
1"	Top		4646	GENERAL & KNICKERBOCKER	98614	97275	97265
	Bottom		4636				
1"	Top	4680	4686	SANYMETAL	98715	INCLUDED	
	Bottom	97290	97295				